

**CNC VERTICAL
TURNING LATHE**

NT & VTC SERIES



HNK MACHINE TOOL CO., LTD.

Introducing 'HNK's CNC Ver

HNK's state-of-art CNC Vertical Turning Lathe Series deliver high speed and high precision machining to meet the needs of today's metal cutting industry.



- Two-axis CNC vertical lathe.
- This model guarantees high rigidity, high speed operation and high accuracy due to the improved machine features such as rigid body construction and the latest control system.



tical Turning Series...

VTC Series

VTC-20/25FD

- Three-axis CNC vertical turning center
- Thanks to an indexing table and a live spindle, this model can do milling, tapping and other various machining jobs.
- The machine can complete its machining process after a single setup, which can save your time and cost.

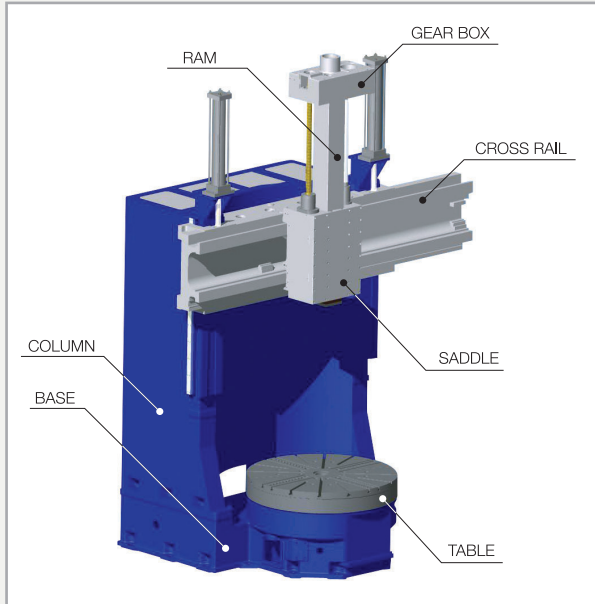


VTC-60/95



Main Construction

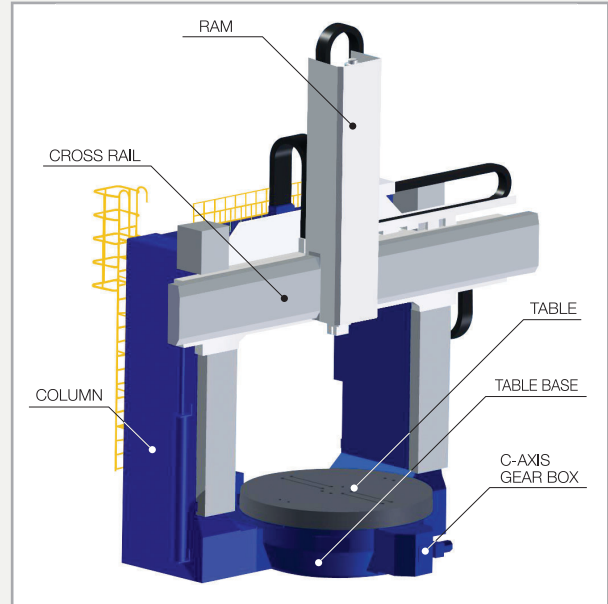
Compact-Models NT & VTC Models



Rigid table base and column construction

The column is bolted to the top of table base. This type of construction minimizes any misalignment or out-of squareness to provide high accuracy.

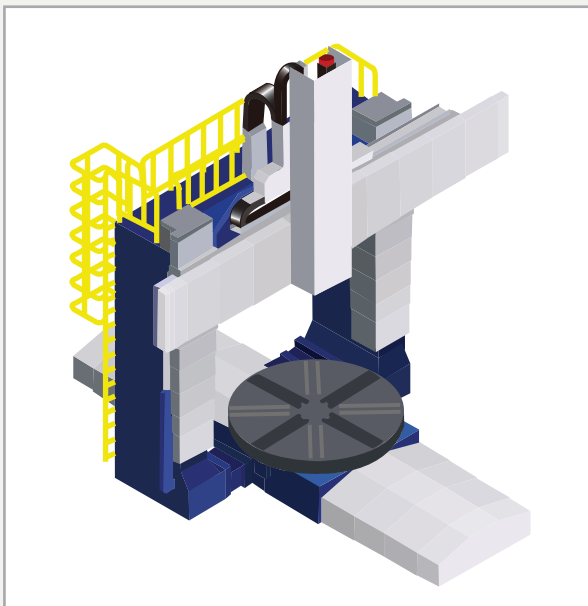
Grand-Models NT & VTC Models



Rigid double column construction

The bottom of double column is fixed on both floor and the table base, and the top is fixed against the top beam. Overall construction design is suitable for heavy loads and heavy duty cutting.

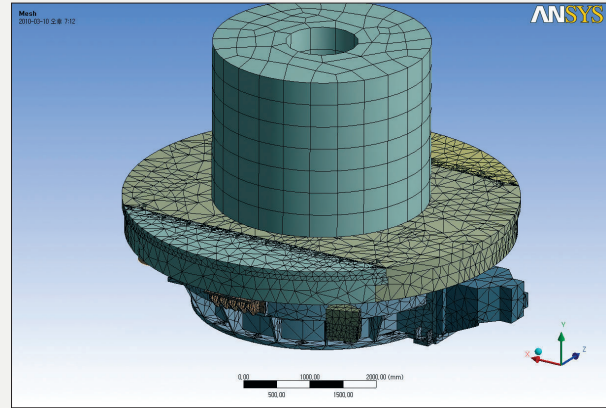
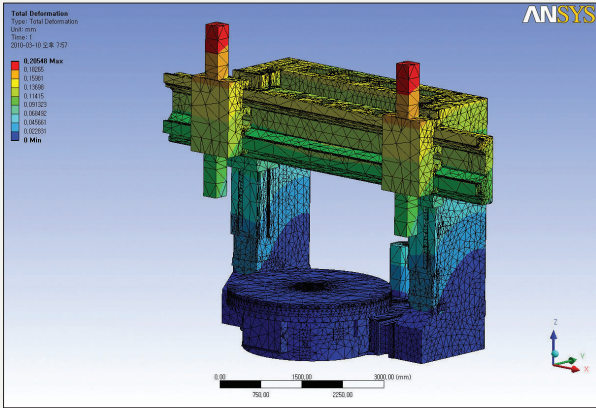
Y-axis application as an option (Table moving / Column moving type)



- Y-axis maximizes the capability of VTC-series.
- Easy job loading /unloading on the table.
- Y-axis makes it possible 「off-centered」 cutting process.
- Y-axis travel is flexible to customers requirements.
- Mostly the table moving type is applied as Y-axis but some large machine models(ex.VTC-50/60) adopt the column moving type. because of their heavy loading capacity.

FEM

From the stage of design, the optimized machine accuracy and cutting condition is achieved by analyzing the rigidity and stress distribution of the structure through FEM system.



RAM HEAD

NT & VTC-Series



VTC-Series



Rigid RAM Structure

Hardened, ground, and hydraulically balanced forged steel square ram is firmly encased in the heavily ribbed saddle.

Live Spindle (VTC-Series)

The VTC models are equipped with live spindle and 0.001° table indexing as standard to offer flexible machining capabilities.

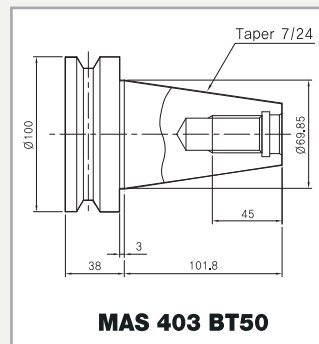
VTC-Series



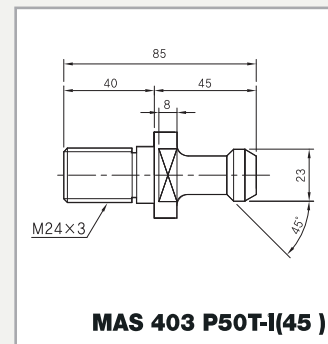
VTC-Series



Tool Shank



Pull Stud Bolt



HNK MACHINE TOOL CO., LTD.

Turning Tool Holder

NT-Series (Only for 200x200 Ram)



200 HK-01

The Ram head pulls the T-bolt with hydraulic power to clamp tool holder. To insure accurate positioning and firm clamping of tool holder, Curvic coupling is used between the ram and tool holder.

NT, VTC Tool Holder

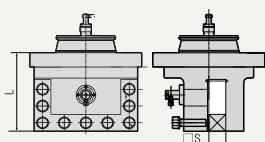


400 TC-01

In case of Grand Models, the tool holder is clamped by pull stud bolts & 4 sub-clamp wedges which are placed at the middle of Tool holder.

Turning Tool Holder NT/VTC-Series

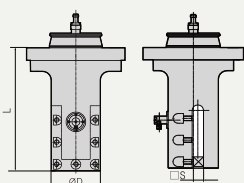
Standard Tool Holder (Thru-tool-coolant type)



unit : mm

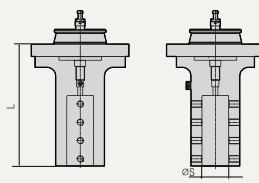
TYPE	L	S
240TCR-01	190	40
300TCR-01	230	40
350TC-01	280.7	40
400TC-01	280.7	60

Tool Holder



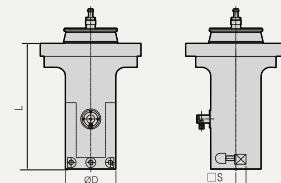
TYPE	øD	S	L
240TCR-02	130	32	230
300TCR-02	130	32	300
350TC-02	160	32	350.7
400TC-02	200	40	500.7

Holder for Boring bar



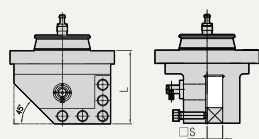
TYPE	øD	ød	L
240TCR-04	130	90	230
300TCR-04	130	90	300
350TC-04	170	100	350.7
400TC-04	200	110	500.7

Tool Holder



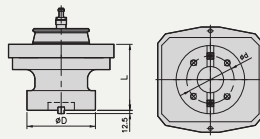
TYPE	øD	L	S
240TCR-05	130	230	32
300TCR-05	130	300	32
350TC-05	160	350.7	32
400TC-05	200	500.7	40

Holder (right or left)



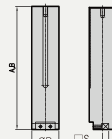
TYPE	L	S
240TCR-06	190	40
300TCR-06	230	40
350TC-06	280.7	40
400TC-06	280.7	60

Holder base



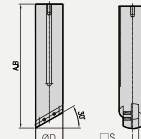
TYPE	ød	øD	L
240TCR-07	120	160	152
300TCR-07	120	160	185
350TC-07	120	180	202.7
400TC-07	180	260	250.7

Boring bar



TYPE	øD	L	S
240TC-08	90	A=300, B=400	25
300TC-08	90	A=300, B=400	25
350TC-08	100	A=400, B=500	25
400TC-08	110	A=400, B=500	25

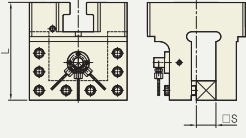
Boring bar (right or left)



TYPE	øD	L	S
240TC-09	90	A=300, B=400	25
300TC-09	90	A=300, B=400	25
350TC-09	100	A=400, B=500	25
400TC-09	110	A=400, B=500	25

Turning Tool Holders for NT-Series

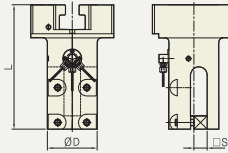
Standard Tool Holder (Thru-tool-coolant type)



unit : mm

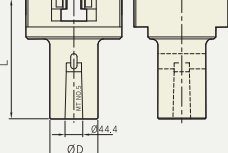
TYPE	L	S
200HK-01	200	40

Tool Holder



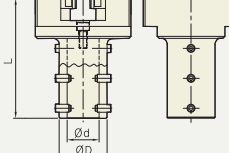
TYPE	ØD	L	S
200HK-02	130	300	32

Morse Taper Holder



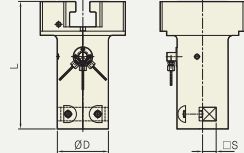
TYPE	ØD	L
200HK-03	130	300

Standard for Boring bar



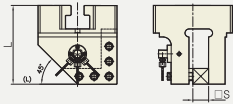
TYPE	ØD	Ød	L
200HK-04	130	90	300

Tool Holder



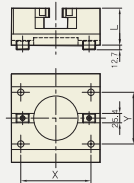
TYPE	ØD	L	S
200HK-05	130	300	32

Holder (right or left)



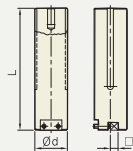
TYPE	L	S
200HK-06	200	40

Holder base



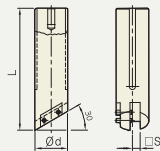
TYPE	L	X	Y
200HK-07	100	160	140

Boring bar



TYPE	ØD	L	S
200HK-08	90	A=300, B=400	25

Boring bar (right or left)



TYPE	ØD	L	S
200HK-09	90	A=300, B=400	25

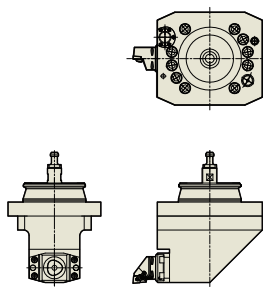
Special Tool Holders (Capto Tool)



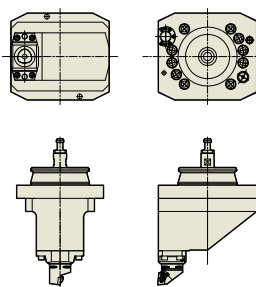
- Capto tool holder is designed to support both of Manual clamping & Automatic clamping.
- Through Coolant System can be applied to Capto tool holder.
- High Pressure Coolant system for Capto tool holder can be applied up to 70 bar.
- Capto tool holder is designed to support both of one-way tool clamping (RH, RV, LH & LV) & two way tool clamping (RH-LH, RV-LH, RH-RV & RV-LV).

CAPTO Tool Holder

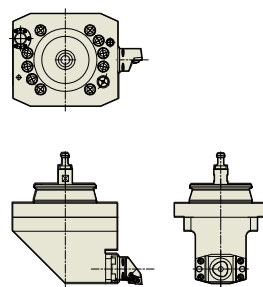
Left Horizontal Type



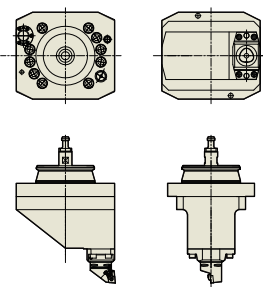
Left Vertical Type



Right Horizontal Type

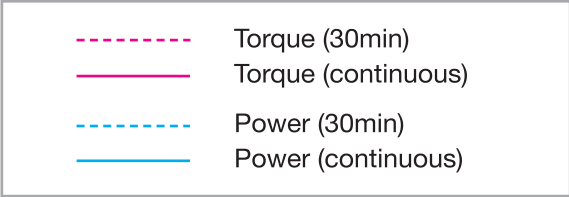


Right Vertical Type

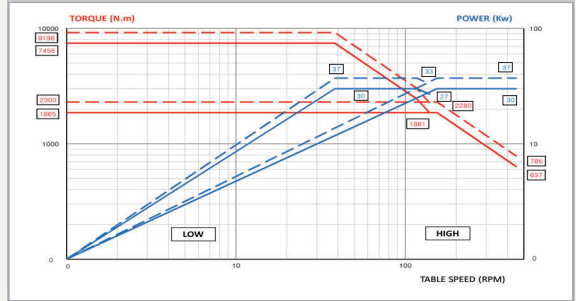


Major Capabilities

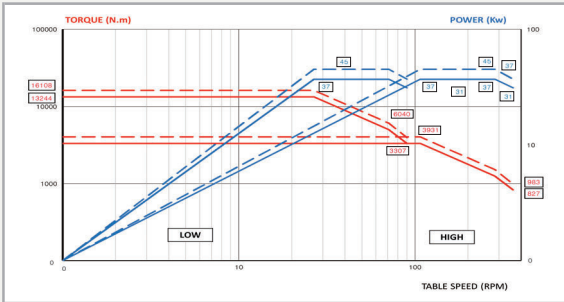
Table Power & Torque diagram



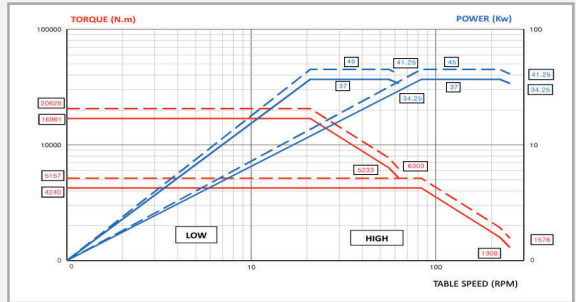
NT & VTC 10/12(F)



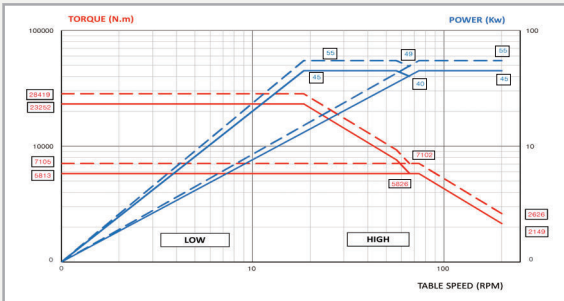
NT & VTC 12/16(F)



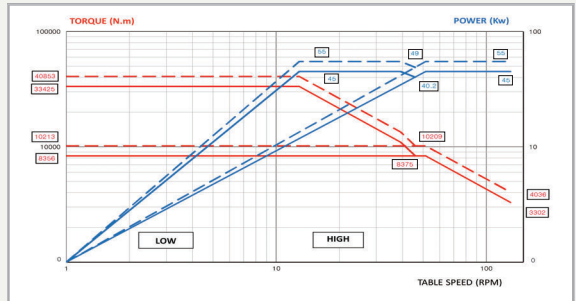
NT & VTC 16/20(F)



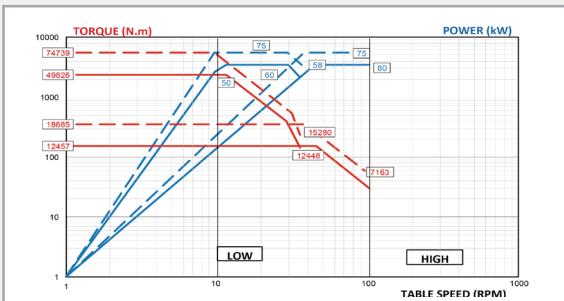
NT & VTC 20/25



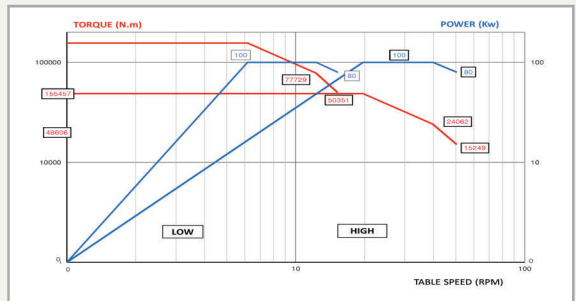
NT & VTC 25/30



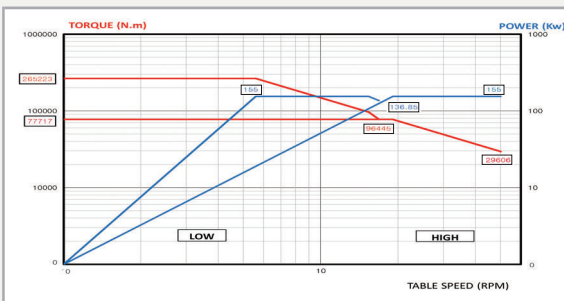
NT & VTC 30/40



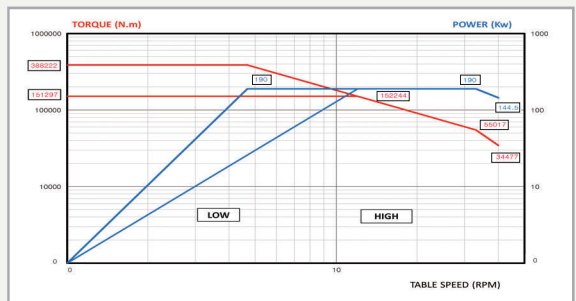
NT & VTC 40/50



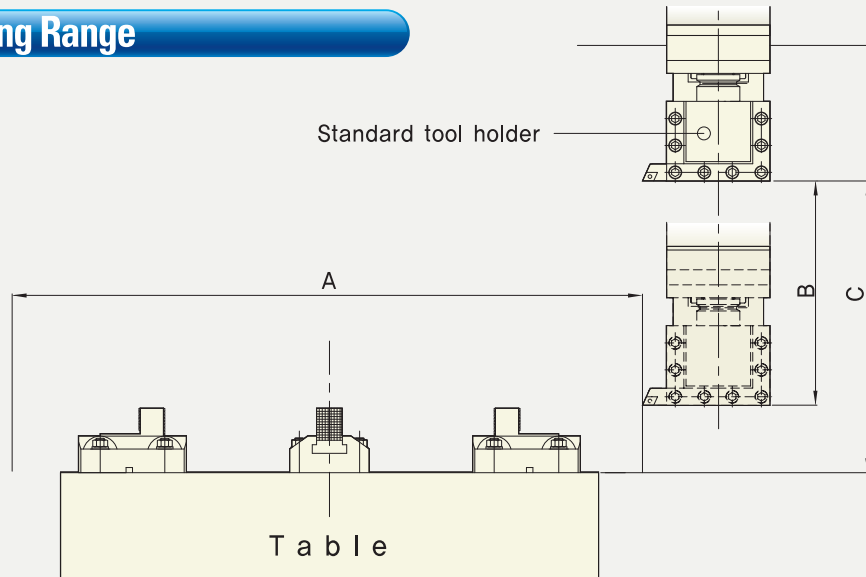
NT & VTC 50/60



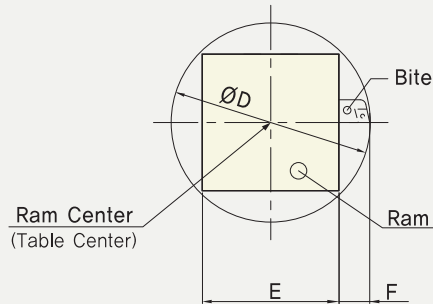
NT & VTC 60/70



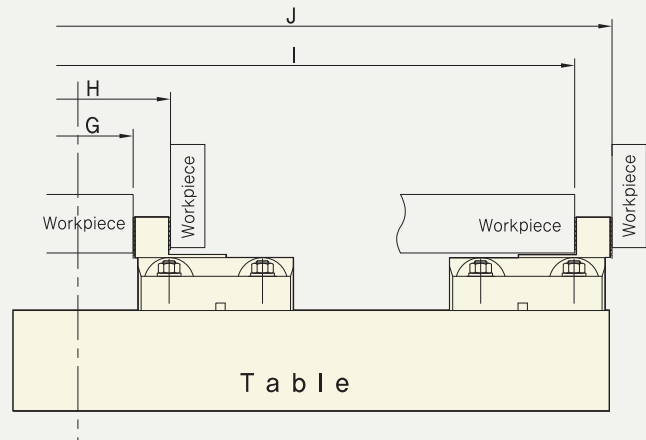
Machining Range



Minimum Boring



Chucking Range

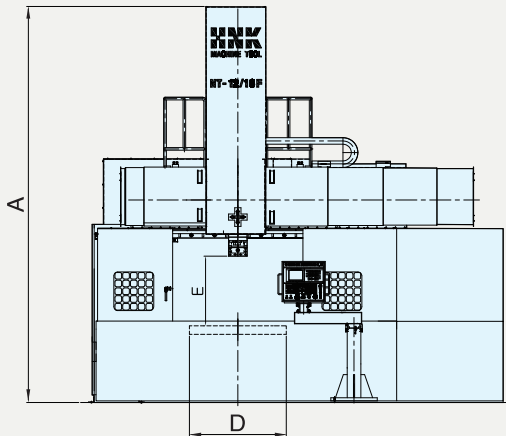


unit : mm

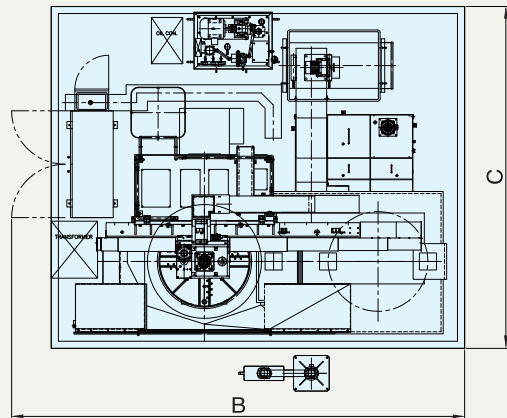
	A	B	C	D	E	F	G	H	I	J
NT&VTC-10/12F	1,250	750	800	285/350	200/240	42/53	190	480	770	1,020
NT&VTC-12/16F	1,600	900	900	285/350	200/240	42/53	190	300	1,180	1,290
NT&VTC-12/16	1,600	900	1,300	285/350	200/240	42/53	190	300	1,180	1,290
NT&VTC-16/20F	2,000	900	900	285/350	200/240	42/53	265	380	1,520	1,630
NT&VTC-16/20	2,000	900	1,660	285/350	200/240	42/53	265	380	1,520	1,630
NT&VTC-20/25	2,500	1,000	1,800	350	240	55	400	545	1,820	1,960
NT&VTC-25/30	3,000	1,200	2,000	350	240	55	600	743	2,340	2,480
NT&VTC-25/35	3,500	1,200	2,000	350	240	55	600	743	2,340	2,480
NT&VTC-30/40	4,000	1,300	2,200	425	300	62	600	743	2,820	2,960
NT&VTC-40/50	5,000	1,500	2,500	495	350	72	800	965	3,920	4,080
NT&VTC-50/60	6,000	2,000	3,000	570	400	85	1,158	1,734	4,450	4,703
NT&VTC-60/70	7,000	2,200	3,500	570	400	85	1,260	1,445	5,450	5,700
NT&VTC-80/100	10,000	3,000	6,000	720	500	110	2,344	2,470	7,840	8,020
NT&VTC-100/160	16,000	3,000	6,000	720	500	110	2,344	2,470	9,840	10,020

Dimensions

FRONT VIEW



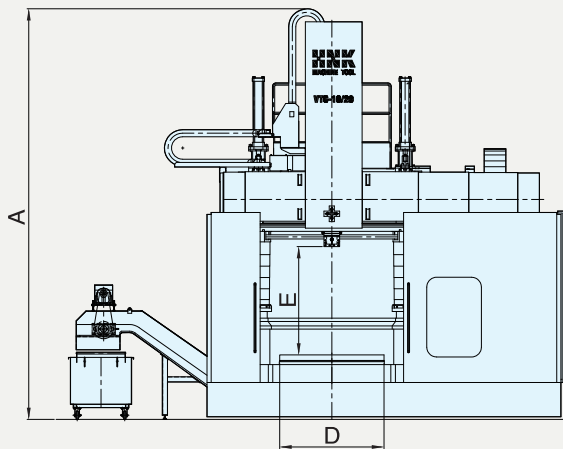
TOP VIEW



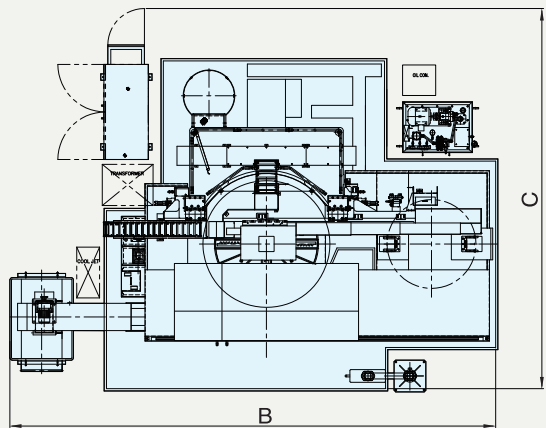
unit : mm

	A	B	C	D	E
N T-10/12F	4,700	5,400	4,800	1,000	800
VTC-10/12F	5,100	5,400	4,800	1,000	800
N T-12/16F	5,115	6,355	4,800	1,250	900
VTC-12/16F	5,400	5,800	5,100	1,250	900
N T-16/20F	5,500	6,000	5,400	1,600	1,000
VTC-16/20F	5,500	6,500	5,400	1,600	1,000

FRONT VIEW



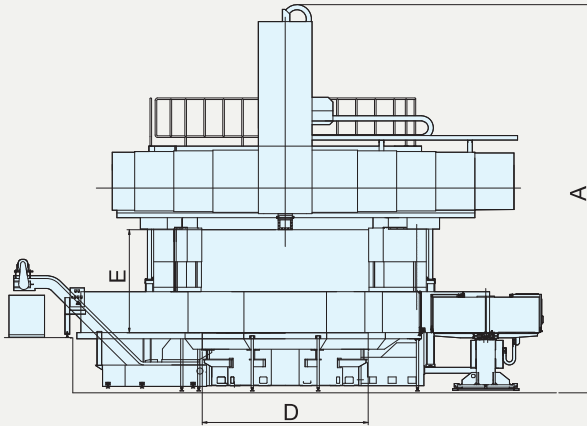
TOP VIEW



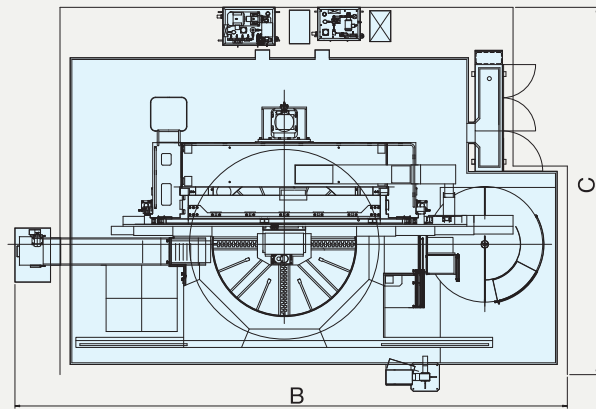
unit : mm

	A	B	C	D	E
N T-12/16	5,800	6,800	4,200	1,250	1,300
VTC-12/16	5,800	6,800	4,200	1,250	1,300
N T-16/20	6,200	7,100	4,200	1,600	1,660
VTC-16/20	6,300	7,650	5,990	1,600	1,660
N T-20/25	6,600	6,900	6,300	2,000	1,800
VTC-20/25	6,600	6,900	6,300	2,000	1,800
N T-25/30	7,400	8,600	6,700	2,500	2,000
VTC-25/30	7,400	8,600	6,700	2,500	2,000

FRONT VIEW



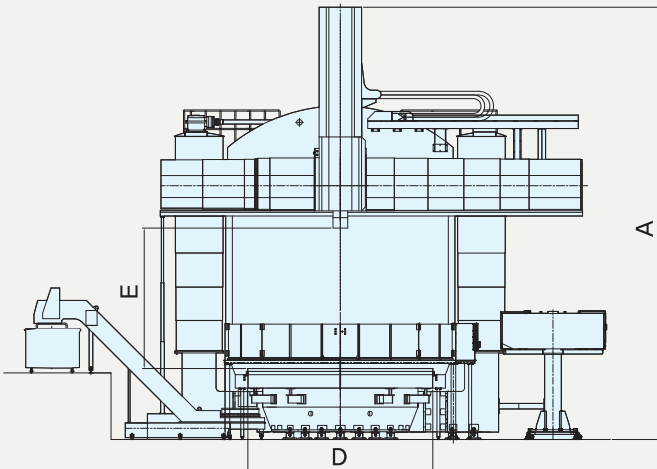
TOP VIEW



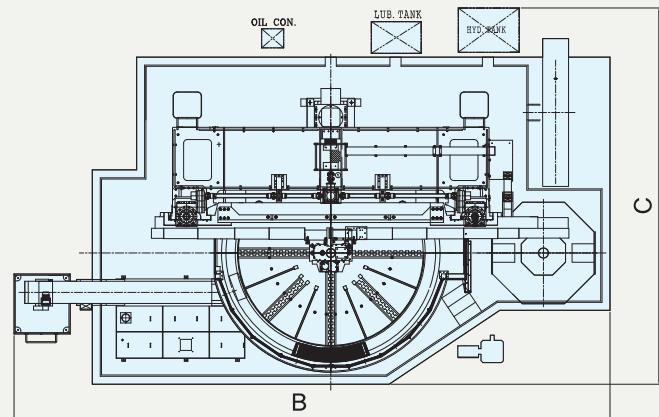
unit : mm

	A	B	C	D	E
N T-25/35	7,200	10,850	6,950	2,500	2,000
VTC-25/35	7,600	10,850	6,950	2,500	2,000
N T-30/40	8,250	11,650	8,100	3,000	2,200
VTC-30/40	8,250	11,650	8,100	3,000	2,200

FRONT VIEW



TOP VIEW



unit : mm

	A	B	C	D	E
N T-40/50	9,200	14,000	9,600	4,000	2,500
VTC-40/50	11,000	14,000	9,600	4,000	2,500
N T-50/60	10,000	15,500	10,000	5,000	3,000
VTC-50/60	11,000	15,200	11,000	5,000	3,000
N T-60/70	12,200	17,000	12,000	6,000	3,500
VTC-60/70	12,500	17,000	12,500	6,000	3,500
N T-80/100	14,700	18,500	14,000	8,000	6,000
VTC-80/100	16,000	18,500	14,000	8,000	6,000
N T-100/160	14,700	24,500	15,000	10,000	6,000
VTC-100/160	16,000	24,500	15,000	10,000	6,000

Machine Specifications

NT-Series CNC Vertical Lathe

Item		Unit	Compact Models				
			NT-10/12F	NT-12/16F	NT-12/16	NT-16/20F	NT-16/20
Capacity	Table Diameter	mm	1,000	1,250	1,250	1,600	1,600
	Max. Swing / Cutting diameter	mm	1,250	1,600	1,600	2,000	2,000
	Max. Turning Height *	mm	800	900	1,300	900	1,660
Table	Table Speed for Turning (2Steps) *	r.p.m	Max. ~ 450	Max. ~ 360	Max.~ 360	Max.~ 250	Max. ~ 250
	Max. Load on Table	kgs	4,500	8,000	8,000	10,000	10,000
	Max. Table torque	Nm	9,198	16,108	16,108	20,628	20,628
Ram Head	Horizontal Travel of Ram Head (X-axis)	mm	-200 ~ +795	-200 ~ +970	-200 ~ +970	-200 ~ +1,170	-200 ~ +1,170
	Vertical Travel of Ram Head (Z-axis) *	mm	750	900	900	900	900
	Rapid Feed of Ram Head (X-axis) *	mm/min	12,000	12,000	12,000	12,000	12,000
	Rapid Feed of Ram Head (Z-axis) *	mm/min	12,000	10,000	10,000	10,000	10,000
	Feed Rate of Ram Head (X & Z)	mm/min	1 ~ 6,000	1 ~ 3,000	1 ~ 3,000	1 ~ 3,000	1 ~ 3,000
	Ram Size	mm	200 x 200	200 x 200	200 x 200	200 x 200	200 x 200
	Tool Shank Size	mm	40 x 40	40 x 40	40 x 40	40 x 40	40 x 40
Cross Rail	Vertical Travel of Cross Rail	mm	fixed type	fixed type	250 x 3 steps	fixed type	250 x 3 steps
Motor power	Main Motor for Table Drive (cont/30min)	kW	A.C 30/37	A.C 37/45	A.C 37/45	A.C 37/45	A.C 37/45
	Motor for Ram Head (X, Z-axis)	kW	4	4	4	4	4
Total Weight (Approx)		kgs	17,000	19,000	22,000	24,000	26,000

VTC-Series CNC Vertical Turning Center

Item		Unit	Compact Models				
			VTC-10/12F	VTC-12/16F	VTC-12/16	VTC-16/20F	VTC-16/20
Capacity	Table Diameter	mm	1,000	1,250	1,250	1,600	1,600
	Max. Swing / Cutting diameter	mm	1,250	1,600	1,600	2,000	2,000
	Max. Turning Height *	mm	800	900	1,300	900	1,660
Table	Table Speed for Turning (2Steps) *	r.p.m	Max. ~ 450	Max.~ 360	Max.~ 360	Max.~ 250	Max.~ 250
	Max. Load on Table	kg	4,500	8,000	8,000	10,000	10,000
	Table Speed for Indexing (C-axis)	r.p.m	0 ~ 3	0 ~ 3	0 ~ 3	0 ~ 3	0 ~ 3
		deg	0.001	0.001	0.001	0.001	0.001
	Max. Table torque	Nm	9,198	16,108	16,108	20,628	20,628
Ram Head	Horizontal Travel of Ram Head (X-axis)	mm	-200 ~ +795	-200 ~ +970	-200 ~ +970	-200 ~ +1,170	-200 ~ +1,170
	Vertical Travel of Ram Head (Z-axis) *	mm	750	900	900	900	900
	Rapid Feed of Ram Head (X-axis) *	mm/min	12,000	12,000	12,000	12,000	12,000
	Rapid Feed of Ram Head (Z-axis) *	mm/min	12,000	10,000	10,000	10,000	10,000
	Feed Rate of Ram Head (X & Z)	mm/min	1 ~ 6,000	1 ~ 3,000	1 ~ 3,000	1 ~ 3,000	1 ~ 3,000
	Milling Spindle Speed	r.p.m	Max. ~ 2,500	Max. ~ 2,500	Max. ~ 2,500	Max. ~ 2,500	Max. ~ 2,500
	Milling Spindle Taper	-	ISO 50	ISO 50	ISO 50	ISO 50	ISO 50
	Ram Size	mm	240 x 240	240 x 240	240 x 240	240 x 240	240 x 240
	Tool Shank Size	mm	40 x 40	40 x 40	40 x 40	40 x 40	40 x 40
Cross Rail	Vertical Travel of Cross Rail	mm	Fixed type	Fixed type	250 x 3 steps	fixed type	250 x 3 steps
Motor power	Main Motor for Table Drive (cont/30min)	kW	A.C 30/37	A.C 37/45	A.C 37/45	A.C 37/45	A.C 37/45
	Motor for Milling Spindle (cont/30min)	kW	A.C 11/15	A.C 15/18.5	A.C 15/18.5	A.C 15/18.5	A.C 15/18.5
	Motor for Ram Head (X, Z-axis)	kW	4	4	4	4	4
	Motor for Table Indexing (C-axis)	kW	4	4	4	4	4
CNC Control System		-	Fanuc 31iB [Siemens 840D]				
Total Weight (Approx)		kg	18,000	20,000	23,000	25,000	29,000

		Grand Models					
NT-20/25	NT-25/30	NT-30/40	NT-40/50	NT-50/60	NT-60/70	NT-80/100	NT-100/160
2,000	2,500	3,000	4,000	5,000	6,000	8,000	10,000
2,500	3,000	4,000	5,000	6,000	7,000	10,000	16,000
1,800	2,000	2,200	2,500	3,000	3,500	6,000	6,000
Max. ~ 200	Max. ~ 130	Max. ~ 100	Max. ~ 50	Max. ~ 50	Max. ~ 40	Max. ~ 20	Max. ~ 15
12,000	20,000	30,000	50,000	60,000	150,000	350,000	450,000
28,419	40,853	74,739	155,457	265,223	388,222	850,000	1,180,000
-200 ~ +1,450	-200 ~ +1,700	-200 ~ +2,225	-200 ~ +2,750	-200 ~ +3,300	-200 ~ +3,800	-300 ~ +5,350	-300 ~ +8,350
1,000	1,200	1,300 / 1,500 / 2,000 / 2,200 / 2,500			2,200 / 2,500 / 3,000 / 3,500		
10,000	10,000	8,000	8,000	8,000	8,000	6,000	6,000
10,000	10,000	8,000	8,000	8,000	8,000	6,000	6,000
1 ~ 3,000	1 ~ 3,000	1 ~ 3,000	1 ~ 3,000	1 ~ 3,000	1 ~ 3,000	1 ~ 3,000	1 ~ 3,000
240 x 240	240 x 240	300x300 / 350x350 / 400x400			400x400 / 500x500 / 600x600		
40 x 40	40 x 40	40 x 40	40 x 40	60 x 60	60 x 60	60 x 60	60 x 60
250 x 3 steps	250 x 4 steps	250 x 6 steps	250 x 7 steps	250 x 7 steps	250 x 9 steps	500 x 9 steps	500 x 9 steps
A.C 45/55	A.C 45/55	A.C 60/75	A.C 100	A.C 155	A.C 190	D.C 265	D.C 265
7	7	6	9	9	14	14	14
45,000	55,000	80,000	140,000	200,000	280,000	500,000	680,000

		Grand Models					
VTC-20/25	VTC-25/30	VTC-30/40	VTC-40/50	VTC-50/60	VTC-60/70	VTC-80/100	VTC-100/160
2,000	2,500	3,000	4,000	5,000	6,000	8,000	10,000
2,500	3,000	4,000	5,000	6,000	7,000	10,000	16,000
1,800	2,000	2,200	2,500	3,000	3,500	6,000	6,000
Max. ~ 200	Max. ~ 130	Max. ~ 100	Max. ~ 50	Max. ~ 50	Max. ~ 40	Max. ~ 20	Max. ~ 15
12,000	20,000	30,000	50,000	60,000	150,000	350,000	450,000
0 ~ 2	0 ~ 1	0 ~ 0.5	0 ~ 0.5	0 ~ 0.3	0 ~ 0.3	0 ~ 0.3	0 ~ 0.3
0.001	0.001	0.001	0.001	0.001	0.001	0.001	0.001
28,419	40,853	74,739	155,457	265,223	388,222	850,000	1,180,000
-200 ~ +1,450	-200 ~ +1,700	-200 ~ +2,225	-200 ~ +2,750	-200 ~ +3,300	-200 ~ +3,800	-300 ~ +5,350	-300 ~ +8,350
1,000	1,200	1,300 / 1,500 / 2,000 / 2,200 / 2,500			2,200 / 2,500 / 3,000 / 3,500		
10,000	10,000	8,000	8,000	8,000	8,000	6,000	6,000
10,000	10,000	8,000	8,000	8,000	8,000	6,000	6,000
1 ~ 3,000	1 ~ 3,000	1 ~ 3,000	1 ~ 3,000	1 ~ 3,000	1 ~ 3,000	1 ~ 3,000	1 ~ 3,000
Max. ~ 2,000	Max. ~ 2,000	Max. ~ 2,000	Max. ~ 2,000	Max. ~ 2,000	Max. ~ 1000	Max. ~ 1000	Max. ~ 1000
ISO 50	ISO 50	ISO 50	ISO 50	ISO 50	ISO 50	ISO 50	ISO 50
240 x 240	240 x 240	300x300 / 350x350 / 400x400			400x400 / 500x500 / 600x600		
40 x 40	40 x 40	40 x 40	40 x 40	60 x 60	60 x 60	60 x 60	60 x 60
250 x 3 steps	250 x 4 steps	250 x 6 steps	250 x 7 steps	250 x 7 steps	250 x 9 steps	500 x 9 steps	500 x 9 steps
A.C 45/55	A.C 45/55	A.C 60/75	A.C 100	A.C 155	A.C 190	D.C 265	D.C 265
A.C 15/18.5	A.C 15/18.5	A.C 22/26	A.C 22/26	A.C 22/26	A.C 37/45	A.C 45/55	A.C 45/55
7	7	6	9	9	14	14	14
7	7	6	9	9	14	16	16
Fanuc 31iB [Siemens 840D]							
48,000	60,000	85,000	146,000	210,000	292,000	520,000	700,000

Accessories

STANDARD ACCESSORIES

- Automatic Tool Changer (12pots)
- Standard Turning Tool Holders (2pcs)
- Table Bearing Cooling Unit
- Chip Conveyor(Hinge Type)
- Chip Bucket
- External Coolant System
- Splash Guard
 - Full Type (Compact Models)
 - Table Type (Grand Models)
- 4-jaw Independant Manual Chuck
- Hydraulic Power Unit
- X-axis Steel Cover
- Work Light
- Patrol Light (3 colors)
- Foundation Bolts & Nuts
- Operating Tool Kits

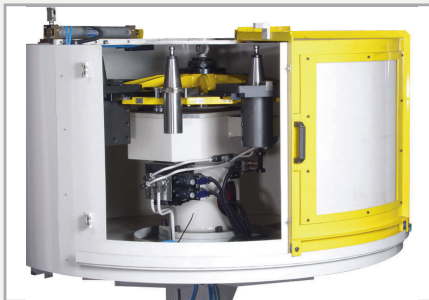
OPTIONAL ACCESSORIES

- Hydraulic Chuck (3Jaw/6Jaw)
- Automatic Pallet Changer
- Automatic Tool Changer (16/24/30/36 pots)
- Coolant-Thru-the Tool Device
- Turning Tool Holders
- Grining Attachment
- Scale Feedback System (X, Z-axis)
- Automatic Power Off
- Transfomer
- Work Probe
- Tool Setter
- Half Type Splash Guard (Grand Models)
- Full type Splash Guard (Grand Models)

OPTIONAL ACCESSORIES for VTC-SERIES ONLY

- Thru-the-Spindle-Coolant-Device (T.S.C)
- Right Angular Attachment (Auto. Tool Change)
- Universal Angular Attachment
- Spindle Speed (3,000 / 4,000 rpm)

Standard Accessories



Automatic Tool (Tool holder) Changer

Large Tool Storage Capacity

As a standard item, ATC has a useful function to change tool holders, and various attachments such as Right Angular Attachment, Universal Angular Attachment and Grinding Attachment

Number of Tool Pots

- NT-Series (12pots)
- VTC-Series (12pots for 6milling + 6 turning)
- Option : 16/24/30/36 pots



Splash Guard (Compact models)



Hinge Type Chip Conveyor



Oil Chiller

Optional Accessories



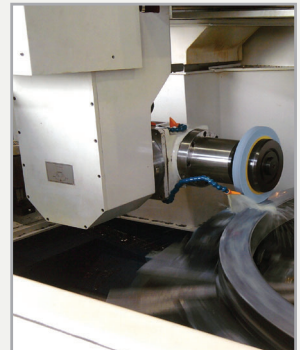
Automatic Pallet changer(A.P.C)



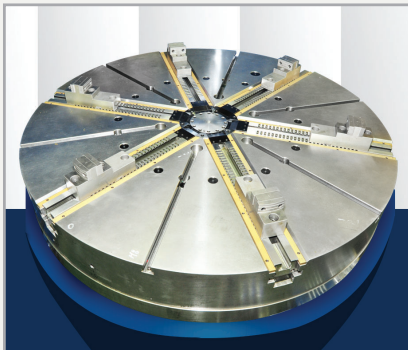
Right Angular Attachment



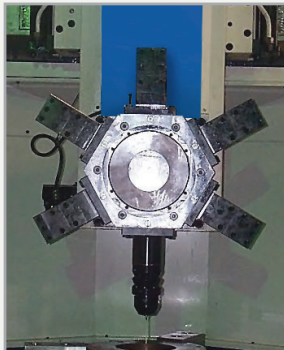
Universal Angular Attachment



Grinding Head



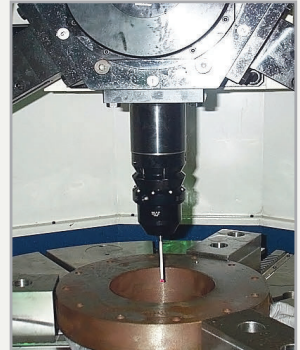
Hydraulic Chuck



Turret Head



Tool Length Measuring Device



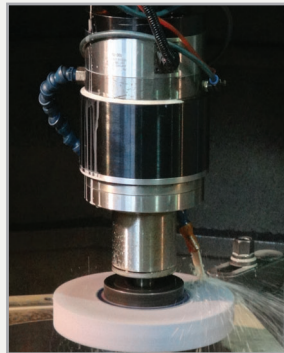
Auto. Workpiece Measuring Device



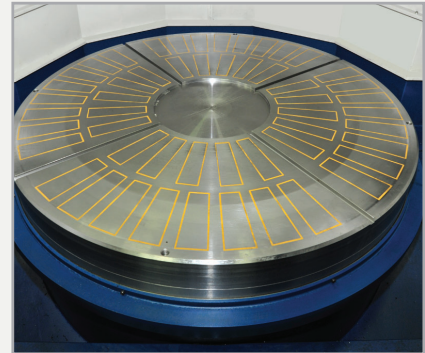
TSC Unit



Operator Elevator



Grinding Attachment



Magnetic Chuck

CNC Control (Fanuc 31iB)

Standard Specifications

- Max. controlled axes (NT, 2 axes / VTC, 3 axes)
- Simultaneously controlled axes (2 axes)
- Inch/Metric conversion
- Mirror image
- Backlash compensation
- Pitch error compensation
- MDI operation
- Program number search
- Sequence number search
- Dry run
- Single block
- JOG feed
- Incremental feed (×1, ×10, ×100, ×1000)
- Jog and handle simultaneous mode
- Manual handle feed (1 unit/each path)
- Positioning-G00
- Linear interpolation
- Circular interpolation
- Dwell
- Threading, synchronous cutting
- Skip function-G31
- Reference position return-G28
- Reference position return check-G27
- 2nd reference position return
- Rapid traverse rate (Max. 10m/min)
- Rapid traverse override (F0,25,50,100%)
- Feed per minute/Feed per revolution
- Tangential speed constant control
- Cutting feedrate clamp
- Automatic acceleration/deceleration
- Coordinate system shift
- Direct input of coordinate system shift
- Manual absolute on and off
- G code system (A)
- Sub program call (4 folds nested)
- Canned cycles (G90, G92, G94)
- Custom macro B
- Chamfering/corner R
- Auxiliary Function (M8-digit)
- Spindle speed function (S5-digit)
- Spindle speed output (S5-digit)
- Constant surface speed control
- 1st spindle orientation
- Tool function (T4 digit)
- Tool offset pairs (32 pairs)
- Tool nose radius compensation (G40-G42)
- Tool offset value counter input
- Part program storage length 1Mb
- Number of registerable program (500)
- Part program editing
- Background editing
- Status display
- Clock function
- Self-diagnosis function
- Alarm display
- Alarm history display
- Operation history display
- Help function
- Servo setting screen
- Language display English
- Data protection key

Optional Specification

- Increment system 1/10 (0.0001mm, 0.00001")
- Tool retract recover
- Manual linear/circular interpolation
- Polar coordinate Interpolation
- Continuous threading
- Variable lead threading
- Circular threading
- Polygon turning
- Rapid traverse ball shaped acceleration /deceleration
- Linear acceleration/deceleration before cutting feed interpolation
- Optional block skip (9)
- Program restart
- Cylindrical interpolation
- Helical interpolation
- Interruption type custom macro
- Multiple repetitive cycle
- Workpiece coordinate system
- Addition of custom macro common variables (#100-#199-#500-#999)
- Rigid tapping
- Conversational programming with graphic display
- Tool offset pairs (200/400 pairs)
- Tool life management function
- Automatic tool offset
- Direct input of tool offset value measured B
- Part program storage length(2/4/8 Mb)
- Number of registerable programs (1000/2000)
- Graphic function
- External workpiece number search 9999
- External workpiece number search 15



HNK MACHINE TOOL CO., LTD.

<http://www.hnkkorea.com>

HEAD OFFICE & FACTORY

83-1, Yunoe Gongdangil, Beobsoo-Myun,
Haman-Gun, Kyungnam, Korea
TEL : 82-70-7019-6500
FAX : 82-55-580-6699

U.S.A. BRANCH

1100 Hicks Road,
Rolling Meadows, IL 60008
TEL : 1-847-921-5551
FAX : 1-847-517-2925

CHINA OFFICE

Room 1020, Trans Modern Centre,
No.2449 Gong He Xin Road, Shanghai,
China
TEL : 86-21-5128-2460
FAX : 86-21-6148-5603

**NORTH AMERICAN IMPORTER
DYNAMIC INTL., INC.**



N25 W23287 Paul Road,
Pewaukee, WI 53072
TEL : 1-262-521-1100
FAX : 1-262-521-1244

DISTRIBUTOR

